



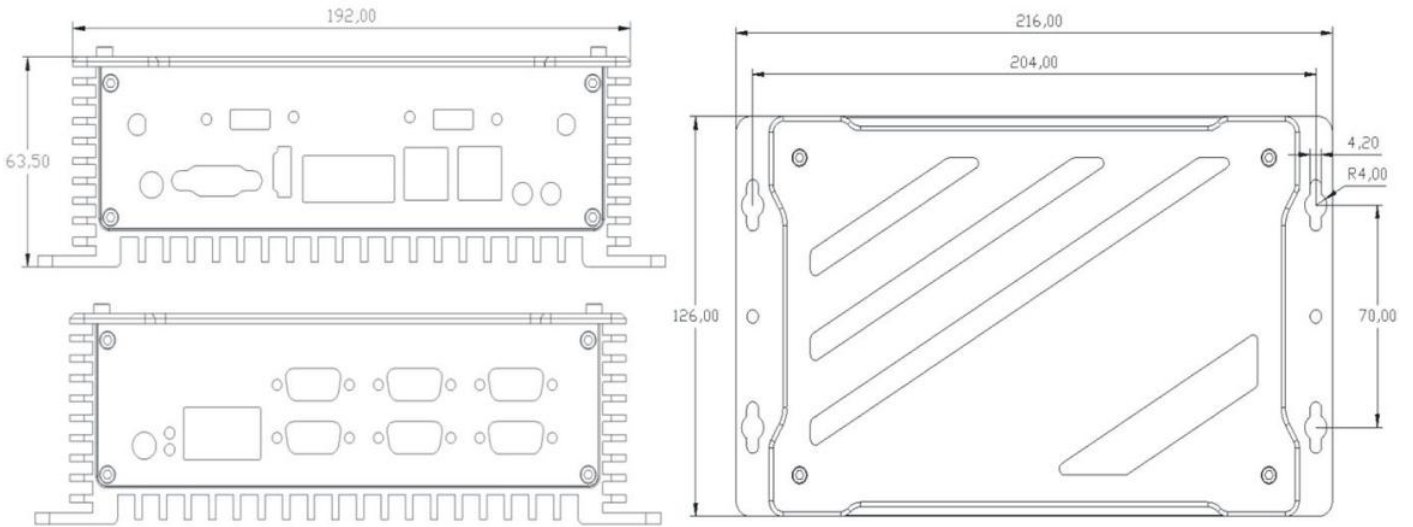
Features

- Intel Celeron Quad Core J1900 2.0GHz
- DDR3L 4GB, Up to 8GB
- 2 x GbE RJ45 Intel i211/i210
- 6x COM (2 x RS485/RS422)
- DC 12V

Specifications

System		Institutional	
CPU	Intel Celeron Quad Core J1900 2.0GHz	Material	Aluminum Alloy
Memory	DDR3L 4GB, Up to 8GB	Heat Dissipation System	Fin-shaped Aluminum Heat Dissipation
Storage	1x MSATA, 1x HDD/SSD	Product Dimension	216 x 126 x 63.5 mm
Network	2 x GbE RJ45 Intel i211/i210	Gross Weight	2.5 KG
Operation System	Windows® 7/8/10, WES 7/10, LINUX		
I / O			
Display	1 x HDMI, 1 x VGA	Power and Environment	
LAN	2 x LAN	Operating Temperature	-20°C to +60°C
USB	1 x USB3.0, 5 x USB2.0	Storage Temperature	-30°C to +70°C
COM	6x COM (2 x RS485/RS422)	Relative Humidity	10%~90% @30°C, non-condensing
GPIO	10 x GPIO(Custom I/O)	Working Voltage	DC 12V
Audio	1x Audio_out & Mic_in		
Wireless Network	WiFi / Bluetooth / 3G/ 4G (Optional)		
Others	1 x Power Button		

Dimension



Packing List

- 1x IBC-100JA Series Fanless Industrial Computer
- 1x Utility DVD Driver
- 1x Fixed Bracket
- 1x Power Adaptor

