



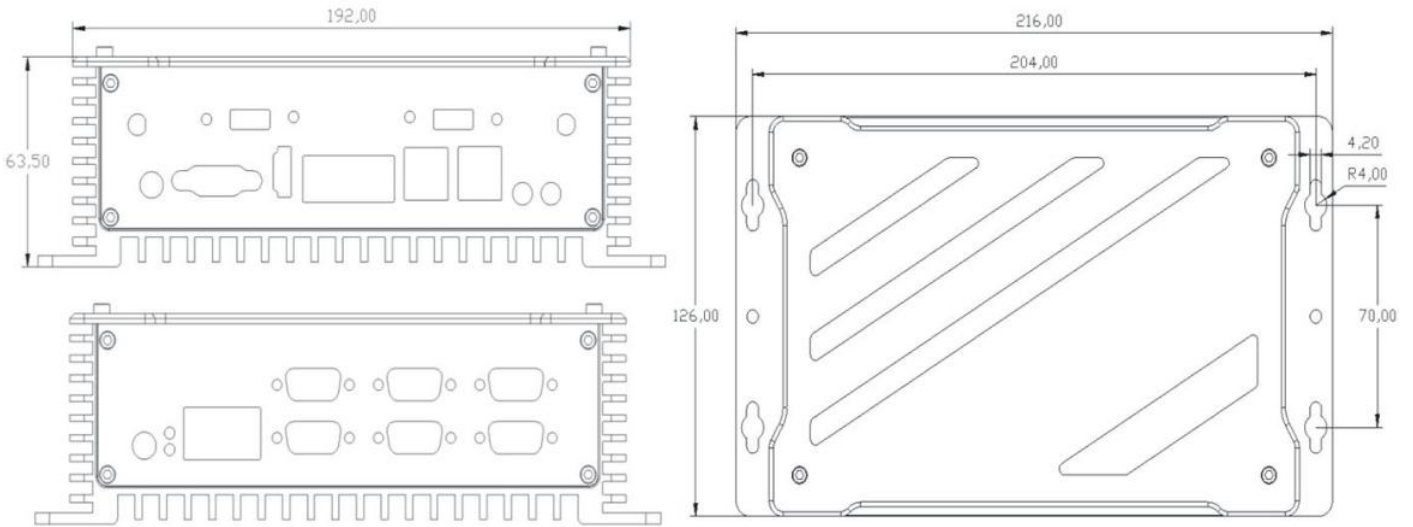
### Features

- Intel Core i3-6157U 2.40GHz
- DDR4 SODIMM, Up to 16GB
- 2 x GbE RJ45 Intel i211/i210
- 6x COM ( 2 x RS485/RS422)
- DC 12V

### Specifications

System		Institutional	
CPU	Intel Core i3-6157U 2.40GHz	Material	Aluminum Alloy
Memory	DDR4 SODIMM, Up to 16GB	Heat Dissipation System	Fin-shaped Aluminum Heat Dissipation
Storage	1x MSATA, 1x HDD/SSD	Product Dimension	216 x 126 x 63.5 mm
Network	2 x GbE RJ45 Intel i211/i210	Gross Weight	2.5 KG
Operation System	Windows® 7/8/10, WES 7/10, LINUX		
<b>I / O</b>			
Display	1 x HDMI, 1 x VGA	<b>Power and Environment</b>	
LAN	2 x LAN	Operating Temperature	-20°C to +60°C
USB	6 x USB	Storage Temperature	-30°C to +70°C
COM	6x COM ( 2 x RS485/RS422)	Relative Humidity	10%~90% @30°C, non-condensing
GPIO	10 x GPIO(Custom I/O)	Working Voltage	DC 12V
Audio	1x Audio_out & Mic_in		
Wireless Network	WiFi / Bluetooth / 3G/ 4G ( Optional )		
Others	1 x Power Button		

### Dimension



### Packing List

- 1x IBC-1000A Series Fanless Industrial Computer
- 1x Utility DVD Driver
- 1x Fixed Bracket
- 1x Power Adaptor

