



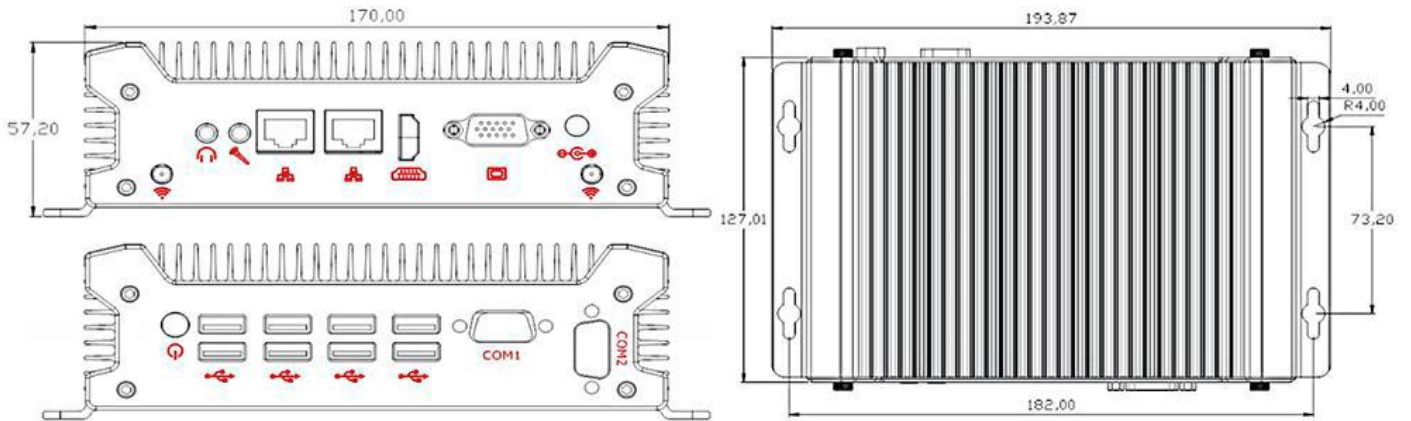
Features

- Intel Core i7-8665U Quad Core 1.9GHz
- 2x DDR4 SODIMM, Max 32GB memory
- 2 x GbE RJ45 Realtek 8111
- 1 x HDMI, 1 x VGA(or HDMI)
- 12V-19V

Specifications

System		Institutional	
CPU	Intel Core i7-8665U Quad Core 1.9GHz	Material	Aluminum Alloy
Memory	2x DDR4 SODIMM, Max 32GB memory	Heat Dissipation System	Fin-shaped Aluminum Heat Dissipation
Storage	1x M.2 2280, 1x HDD/SSD	Product Dimension	193.9 x 127 x 57.2 mm
Network	2 x GbE RJ45 Realtek 8111	Gross Weight	4.0 KG
Operation System	Win 10/11, WES 10, LINUX		
I / O		Power and Environment	
Display	1 x HDMI, 1 x VGA(or HDMI)	Operating Temperature	-20°C to +60°C
LAN	2 x LAN	Storage Temperature	-30°C to +70°C
USB	4 x USB3.0, 4 x USB2.0	Relative Humidity	10%~90% @30°C, non-condensing
COM	2x COM	Working Voltage	12V-19V
Audio	1x Audio_out & Mic_in		
Wireless Network	WiFi / Bluetooth / 3G/ 4G (Optional)		
Others	1 x Power Button		

Dimension



Packing List

1x IBC-200QA Series Fanless Industrial Computer

1x Utility DVD Driver

1x Fixed Bracket

1x Power Adaptor

