

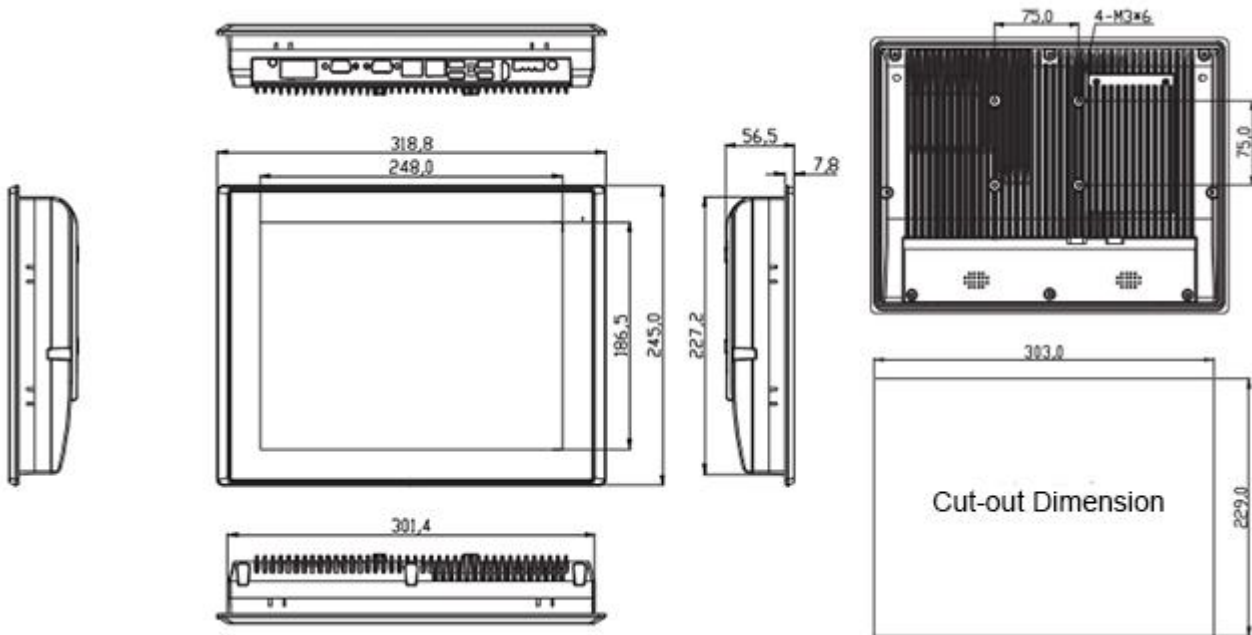


Features

- 12.1" TFT LED with Multi-points Capacitive Touch
- Intel Celeron Quad Core J1900 2.0GHz
- 1x DDR3L 4GB, Up to 8GB
- 2xLAN, 2xRS232/422/485
- LCD+HDMI Output, Support Dual view/Simultaneous display
- Wide voltage DC 9V~36V,
- IP65 Compliant Front Panel

Specifications

System		LCD Panel	
CPU	Intel Celeron Quad Core J1900 2.0GHz	Panel Size	12.1" LED
Memory	DDR3L 4GB, Up to 8GB	Resolution	1024 x 768
Storage	1*MSATA SSD / 1*2.5" SATA	Aspect Ratio	4:3
Network	Intel® I211-AT GbE LAN	Display Brightness	500 cd/m2
Operation System	Windows® 7/8/10,WES 7,LINUX	Viewing Angle(CR>=10)	-85~85° (H), -85~85° (V)
I / O		Backlight Lifetime	30000 Hr (min.)
HDMI	1 x HDMI	Touch screen	
LAN	2 x LAN	Type	Multi-points Capacitive Touch
USB	3 x USB2.0, 1 x USB3.0	Transmittance	> 85%
COM	2 x RS-232 / 422 / 485	Response Time	<5ms
Others	1*USB2.0 dongle interface built-in	Touch Life	≥ 5000W
	2* RS232/485 COM phoenix terminal	Physical	
	2* RS232 COM phoenix terminal	Material	Aluminium Alloy, Front IP65
	1* Audio line-out	Mounting	
	1*DC 9-36V Input	Product Dimension	VESA: 75 x 75 mm
	1*AT/ATX Switch	Cut-out Size	303 x 229 mm
	4G / WiFi / Bluetooth (Optional)	Power and Environment	
	1*14bit GPIO(Optional)	Operating Temperature	-20°C ~ 60°C
2*8Ω 1W Amplifier out (optional)	Storage Temperature	-30°C ~ 70°C	
		Relative Humidity	10~90% @30°C, non-condensing
		Input	DC IN 9V~36V

Dimension

Available Models

Panel Size	Resolution	Aspect Ratio	Brightness	Viewing Angle	LCD Color	Backlight MTBF
10.1"	1280 x 800	16:10	400 cd/m ²	-85~85° (H),-85~85° (V)	262K/16.2M	30000 Hr (min.)
10.4"	1024x768	4:3	350 cd/m ²	-85~85° (H),-85~85° (V)	262K/16.2M	30000 Hr (min.)
12.1"	800x600/1024x768	4:3	500 cd/m ²	-85~85° (H),-85~85° (V)	262K/16.2M	30000 Hr (min.)
12.1"	1280x800	16:10	450cd/m ²	-85~85° (H),-85~85° (V)	262K/16.7M	30000 Hr (min.)
13.3"	1920x1080	16:9	250cd/m ²	-85~85° (H),-85~85° (V)	262K/16.7M	30000 Hr (min.)
15"	1024x768	4:3	350cd/m ²	-85~85° (H),-85~85° (V)	262K/16.7M	50000 Hr (min.)
15.6"	1920x1080	16:9	250cd/m ²	-85~85° (H),-85~85° (V)	262K/16.2M	30000 Hr (min.)
17"	1280x1024	5:4	250cd/m ²	-85~85° (H),-85~85° (V)	262K/16.2M	30000 Hr (min.)
18.5"	1366x768	16:9	250cd/m ²	-85~85° (H),-85~85° (V)	262K/16.7M	30000 Hr (min.)
19"	1280x1024	5:4	250cd/m ²	-85~85° (H),-85~85° (V)	262K/16.7M	30000 Hr (min.)
21.5"	1920x1080	16:9	250cd/m ²	-85~85° (H),-85~85° (V)	262K/16.7M	30000 Hr (min.)
24"	1920x1080	16:9	250cd/m ²	-85~85° (H),-85~85° (V)	262K/16.7M	30000 Hr (min.)

Packing List

- 1x IPC-L012BSC
- 1x Utility DVD Driver
- 8x Panel Mount Kits
- 1x Power Adaptor